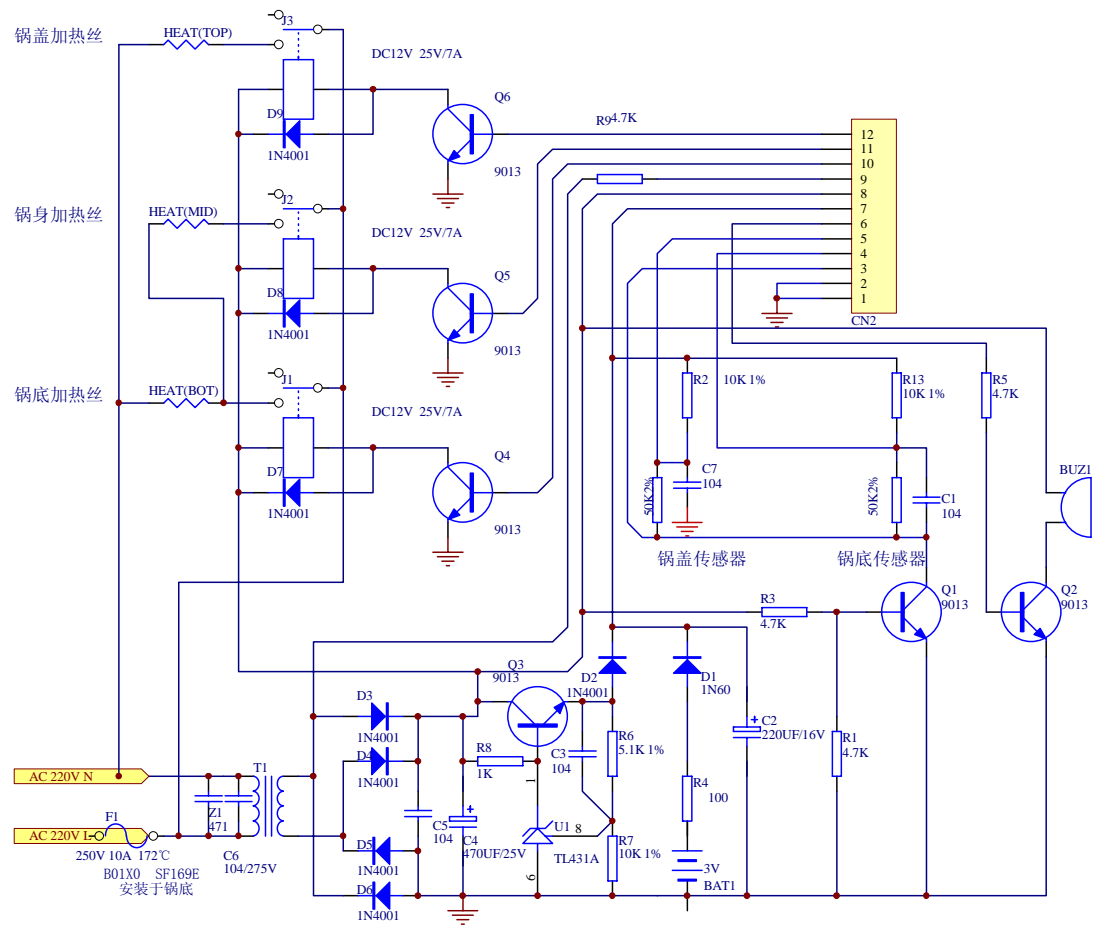


30FZ4控制板

Title 开发天地出品 www.mcusky.com		
Size B	Number	Revision
Date: 5-Nov-2004	Sheet of	
File: D:\嘉智\JZ2023-30FZ4-控制板.Sch	Drawn By:	



30FZ4电源板

Title 开发天地出品 www.mcusky.com		
Size B	Number	Revision
Date: 5-Nov-2004	Sheet of	
File: D:\嘉智\JZ2023-30FZ4-电源板.Sch	Drawn By:	